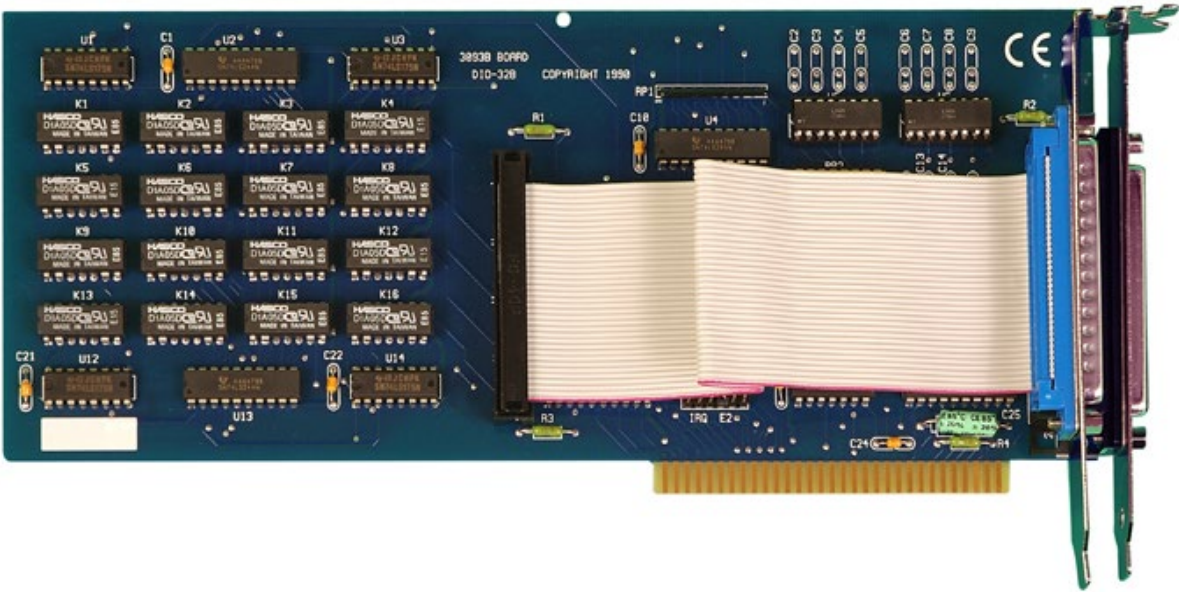


DIO-32B

User Manual | 3093H



SEALEVEL®

Contents

CONTENTS.....2

INTRODUCTION3

BEFORE YOU GET STARTED4

CARD SETUP6

SOFTWARE INSTALLATION8

PHYSICAL INSTALLATION9

PROGRAMMING THE DIO-32B10

ELECTRICAL CHARACTERISTICS15

SPECIFICATIONS15

EXAMPLE CIRCUITS17

APPENDIX A – TROUBLESHOOTING.....18

APPENDIX B – HOW TO GET ASSISTANCE.....19

APPENDIX C – SILK SCREEN – 3093H PCB20

APPENDIX D – COMPLIANCE NOTICES21

WARRANTY22

Introduction

The DIO-32B digital I/O interface provides 16 optically isolated inputs and 16 reed relay outputs. The inputs (rated for 10-30V) protect the PC and other sensitive equipment from spikes and ground loop current that can be generated in industrial environments, while the outputs provide high quality, long life, low current (10 Watt maximum), dry contact switch closures. Reed relays are well suited for low current applications. The relays are normally open, and close when energized.

The DIO-32B is designed to be used with a variety of Operating Systems including Windows 98/NT/ME/2000/XP, Linux, and DOS. The Seal/O API (Application Programmer Interface) available for the DIO-32B provides a variety of useful high-level function calls implemented as a Windows dynamic link library (DLL) and as a Linux kernel module and library. In addition to the API, Seal/O includes sample code and utilities to simplify software development.

Other Sealevel ISA Digital I/O Products

DIO-16	(P/N 3096)	- 8 Reed Relay Outputs / 8 Opto-Isolated Inputs
ISO-16	(P/N 3094)	- 16 Optically Isolated Inputs
REL-16	(P/N 3095)	- 16 Reed Relay Outputs
REL-32	(P/N 3098)	- 32 Switched Relay Outputs
PIO-48	(P/N 4030)	- 48 TTL Inputs/Outputs

Before You Get Started

What's Included

The DIO-32B is shipped with the following items. If any of these items is missing or damaged, please contact Sealevel for replacement.

- **Item# 3093H – DIO-32B ISA Adapter**
- **Item# CA111 – 6" Ribbon Cable with IDC 20-Pin to DB-37 Male**

Advisory Conventions



Warning

The highest level of importance used to stress a condition where damage could result to the product, or the user could suffer serious injury.



Important

The middle level of importance used to highlight information that might not seem obvious or a situation that could cause the product to fail.



Note

The lowest level of importance used to provide background information, additional tips, or other non-critical facts that will not affect the use of the product.

Optional Items

Depending upon your application, you are likely to find one or more of the following items useful for interfacing the DIO-32B to real-world signals. All items can be purchased from our website (www.sealevel.com) or by calling (864) 843-4343.

- **DB-37 Male to DB-37 Female Extension Cable - (Item# CA112)**
 - This cable provides a 6' extension to the CA165. It has one DB37 Male connector and one DB37 Female connector.

- **DB-37 Male/Female Terminal Block (Item# TB02-KT)**
 - Break out serial and digital connectors to screw terminals for easy field connection. The TB02 terminal block is designed with both DB37 male and female connectors, therefore; it can be used with any DB37 board regardless of the board's port gender.

- **Cable and Terminal Block Kit (Item# KT101)**
 - The KT101 includes the TB02 terminal block and CA112 cable. To fully connect the DIO-32B two KT101 kits will be required.

Card Setup

The DIO-32B contains several jumper straps for each port that must be set for proper operation.

Address Selection

The DIO-32B occupies 4 consecutive I/O locations. The DIP-switch (SW1) is used to set the base address for these locations. Be careful when selecting the base address as some selections conflict with existing PC ports. The following table shows several examples that usually do not cause a conflict.

Address	Binary	Switch Settings							
		1	2	3	4	5	6	7	8
100-104	01 0000 00xx	Off	On	On	On	On	On	On	On
104-108	01 0000 01xx	Off	On	On	On	On	On	On	Off
200-204	10 0000 00xx	On	Off	On	On	On	On	On	On
280-283	10 1000 00xx	Off	On	Off	On	On	On	On	On
284-287	10 1000 01xx	Off	On	Off	On	Off	On	On	Off
2EC-2EF	10 1110 11xx	Off	On	Off	Off	Off	On	Off	Off
300-303	11 0000 00xx	Off	Off	On	On	On	On	On	On
320-323	11 0010 00xx	Off	Off	On	On	Off	On	On	On
388-38B	11 1000 10xx	Off	Off	Off	On	On	On	Off	On
3A0-3A3	11 1010 00xx	Off	Off	Off	On	Off	On	On	On
3A4-3A7	11 1010 01xx	Off	Off	Off	On	Off	On	On	Off

Address Selection Table

The following illustration shows the correlation between the DIP-switch setting and the address bits used to determine the base address. In the example below, address 300 is selected as the base address. Address 300 in binary is XX 11 0000 00XX where X = a non-selectable address bit and address bit A9 is always a 1.



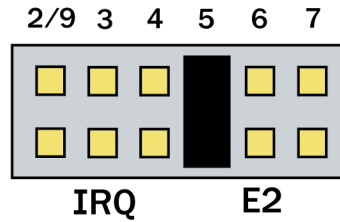
DIP-Switch Illustration



The Setting the switch 'On' or 'Closed' corresponds to a '0' in the address, while leaving it 'Off' or 'Open' corresponds to a '1'.

IRQ Header E2

Interrupts can be generated by Port A, bit 0 going low if enabled at jumper location (E2). Interrupt request signals 2/9 through 7 (IRQ 2/9 - 7) can be selected by placing the jumper in the appropriate position. Other inputs can be 'wire OR ed.' to also generate interrupts if desired. Please consult the factory for more information.



IRQ Header E2

Software Installation

Windows Installation



Do not install the adapter in the machine until the software has been fully installed.



Only users running Windows 7 or newer should utilize these instructions for accessing and installing the appropriate driver via Sealevel's website. If you are utilizing an operating system prior to Windows 7, please contact Sealevel by calling 864.843.4343 or emailing support@sealevel.com to receive access to the legacy driver download and installation instructions.

1. Select the download for the SealO Classic for Windows ([Software: SealO Classic V5 - Windows - Sealevel.](#)) The setup file will automatically detect the operating environment and install the proper components. Next (depending on your browser) select the 'Run this program from its current location' or 'Open' option. Follow the information presented on the screens that follow. During setup, the user may specify installation directories and other preferred configurations. This program also adds entries to the system registry that are necessary for specifying the operating parameters for each driver. An uninstall option is also available to remove SealO files and registry/INI file entries from the system.
2. A screen may appear with the declaration: "The publisher cannot be determined due to the problems below: Authenticode signature not found." Please select the 'Yes' button and proceed with the installation. This declaration simply means that the Operating System is not aware of the driver being loaded. It will not cause any harm to your system.
3. During setup, the user may specify installation directories and other preferred configurations. This program also adds entries to the system registry that are necessary for specifying the operating parameters for each driver. An uninstall option is also included to remove all registry/INI file entries from the system.

Windows software installation is complete.



Windows NT Card Installation: After accomplishing the above steps, bring up the Control Panel and double-click on the SealO Devices icon. To install a new card, click "Add Port". Repeat this procedure for as many SealO cards as you wish to install.



Linux Software: You may download the [SealO Classic for Linux Windows](#) for the 3093H. If you need additional information with this installation, please contact Sealevel's Technical Support: support@sealevel.com.

Physical Installation

The adapter can be installed in any PCI expansion slot.



Do not install the adapter in the machine until the software has been fully installed.

1. **Turn off PC power. Disconnect the power cord.**
2. Remove the PC case cover.
3. Locate an available 5V PCI slot and remove the blank metal slot cover.
4. Gently insert the PCI adapter into the slot. Make sure that the adapter is seated properly.
5. After the adapter has been installed, the cables should be routed thru the opening in the bracket. This bracket also features a strain relief function that should be used to prevent un-expected cable removal.
6. Replace the screw you removed for the blank and use it to secure the adapter into the slot. (This is required to ensure FCC Part 15 compliance.)
7. Replace the cover.
8. Connect the power cord.

The DIO-32B is now ready for use.

Programming the DIO-32B

Sealevel's Seal/O software is available to assist in the development of reliable applications for the Sealevel Systems family of digital I/O adapters. Included in Sealevel's software and drivers are driver functions for use in accessing the I/O as well as helpful samples and utilities.

Programming for Windows

The Seal/O API (Application Programmer Interface) provides a variety of useful high-level function calls implemented in a Windows dynamic link library (DLL). The API is defined in the help file (Start/Programs/SealO/SealO Help) under "Application Programmers Interface". This help file also includes detailed information dealing with installation / removal of the software and information about latency, logic states, and device configuration.

For C language programmers we recommend using the API to access the DIO-32B. If you are programming in Visual Basic, using the ActiveX control included with Seal/O is advised.

Samples and Utilities

A variety of sample programs and utilities (both executable and source code) are included in the software for the Seal/O. Further documentation on these samples can be found by selecting "Start/Programs/SealO/Sample Application Description." If you have any problems locating these files, please contact Sealevel's Technical Support at 864-843-4343 or email support@sealevel.com.

Programming for Linux

Seal/O for Linux consists of two major parts: a kernel module and a library. The kernel module is a simple IO pass-through device, allowing the library to handle the more sophisticated functions provided to Seal/O users. It is provided in a 'tarball' format and can easily be compiled and included in the kernel build.

Application Programmers Interface (API)

Most modern operating systems do not allow direct hardware access. The SealO driver and API have been included to provide control over the hardware in Windows and Linux environments. The purpose of this section of the manual is to help the customer with the mapping of the API to the actual inputs and relays for the 3093H specifically. Complete documentation of the API can be found in its accompanying help file.

Digital I/O Interface

The DIO-32B provides four parallel input/output (I/O) ports. The ports are organized as ports A, B, C, and D. Port A and B are input ports interfaced to optically isolated inputs, while ports C and D are reed relay output ports. Assuming an I/O address of 300 Hex the following table shows the Port Addresses.

Base Address	Hex	Decimal	Mode
Port A Address	300	768	Optically Isolated Input Port
Port B Address	301	769	
Port C Address	302	770	Reed Relay Output Port
Port D Address	303	771	

Input Ports

Ports A and B are 8 bit input ports connected to optically isolated input sensors. Each sensor can be used to interface a voltage input and then sense whether the voltage is on or off. Each sensor is isolated (with respect to a common ground) from every other sensor, and also isolated with respect to the host PC ground. This means that signals such as low-level AC line voltage, motor servo voltage, and control relay signals can be 'sensed', or read by the PC, without the risk of damage due to ground loops or ground faults.

Each sensor input pair has a current limiting resistor that is used to limit the input current to the opto-isolator. The opto-isolator has two 'back-to-back' diodes internally. This allows AC or DC signals to be sensed, regardless of polarity. When the applied voltage is high enough to cause the led in the opto-isolator to turn-on, the output of the opto-isolator goes low (0 volts), and the signal is read as a low logic level (binary 0) by the PC. When the input signal is too low to turn on the opto-isolator, the output goes high, and the port bit is read by the PC as a high logic level (binary 1).

The input impedance of each isolated input is approximately 3.3K ohms (factory default). The opto-isolator requires approximately 3mA to turn on. The maximum input current is 50mA. There are two things to consider when selecting the input resistor. The first is turn on voltage for the circuit to sense, and second is the maximum input voltage. Maximum input voltage must not provide too much power to the input resistor and must also not overdrive the opto-isolator input current specification. The following formulas apply:

$$\text{Turn on Voltage} = \text{diode drop} + (\text{turn on current}) \times (\text{resistance}) \text{ [Ex: } 1.1 + (.003) \times R \text{]}$$

$$\text{Input Current} = ((\text{input voltage}) - 1.1\text{V}) / (\text{resistor value})$$

$$\text{Maximum voltage} = 1.1 + \text{square root of } (.25(\text{resistor value}))$$

The following table shows common input resistors and the ranges associated with each.

Input Resistor	Turn-On	Input Range	Max Input	Max Current
220W	1.8V	1.8 – 7.0V	8.5V	27mA
560W	2.8V	2.8 – 10.6V	12.9V	20mA
1KW	4.1V	4.1 – 13.8V	16.9V	15mA
2.2KW	7.7V	7.7 – 20.0V	24.5V	10mA
3.3KW	10.0V	10.0 – 24.0V	30.0V	9mA
4.7KW	15.2V	15.2 – 28.0V	35.0V	7mA



The turn-off voltage for all resistors is less than 1V.

Increasing the input resistor accordingly can increase the maximum input voltage. Because socketed DIP resistors are utilized, they can easily be replaced with a different value. Sealevel, if necessary, can do this.



The input circuits are not intended for monitoring 120-volt AC circuits. In addition to being too high a voltage for the circuits, it is dangerous to have that high a voltage on the card.

Sensor Input Ports Pin Assignments

Inputs are interfaced via the DB-37 female connector on card.

Port A Bit	Port A Pins	Port B Bit	Port B Pins
0	18,37	0	10,29
1	17,36	1	9, 28
2	16,35	2	8,27
3	15,34	3	7,26
4	14,33	4	6,25
5	13,32	5	5,24
6	12,31	6	4,23
7	11,30	7	3,22
Ground	2,20,21		
+12 Volts	19		
+5 Volts	1		

Output Ports (Reed Relay)

Reed relays provide very high quality, long life, low current (10 Watt maximum), dry contact switch closures. Reed relays are not suited for high current applications, and can be destroyed by inductive load switching, where a spark occurs across the contacts internally. The relays are normally open, and close when energized.

Output Ports (Reed Relay) Pin Assignments (CA111)

Outputs are interfaced via the DB-37 male connector on the supplied connector cable (item# CA111).

Port C Bit	Relay	Port C Pins	Port D Bit	Relay	Port D Pins
0	K16	2,20	0	K8	10,28
1	K15	3,21	1	K7	11,29
2	K14	4,22	2	K6	12,30
3	K13	5,23	3	K5	13,31
4	K12	6,24	4	K4	14,32
5	K11	7,25	5	K3	15,33
6	K10	8,26	6	K2	16,34
7	K9	9,27	7	K1	17,35
Ground	18,36,37				
+ 5 Volts	19				
+ 12 Volts	1				

Relative Addressing vs. Absolute Addressing

The SealIO API makes a distinction between “absolute” and “relative” addressing modes. In absolute addressing mode, the Port argument to the API function acts as a simple byte offset from the base I/O address of the device. For instance, Port #0 refers to the I/O address base + 0; Port #1 refers to the I/O address base + 1.

Relative addressing mode, on the other hand, refers to input and output ports in a logical fashion. With a Port argument of 0 and an API function meant to output data, the first (0th) output port on the device will be utilized. Likewise, with a Port argument of 0 and an API function designed to input data, the first (0th) input port of the device will be utilized.

In all addressing modes, port numbers are zero-indexed; that is, the first port is port #0, the second port is #1, the third #2, and so on.

Direct Hardware Control

In systems where the users program has direct access to the hardware (DOS) the tables that follow give the mapping and functions that the DIO-32B provides.

Function Available	Port	Address Hex	Port Type
RD	A	Base + 0	Optically Isolated Input Port
RD	B	Base + 1	
RD/WR	C	Base + 2	Reed Relay Output Port
RD/WR	D	Base + 3	

RD = Read, RD/WR = Read or Write

Reading the Inputs

The inputs are active Low. If no voltage is applied across one of the differential inputs, it returns a one on that bit. If an AC or DC voltage is applied, it returns a zero on that bit.

Reading the Outputs

The relay ports return the ones complement of the value that is currently being used to drive the relays.

Writing the Outputs

The output ports are the only ports that can be written. The relays on a standard DIO-32B are normally open. To close a relay a one must be written to the appropriate bit.

Register Description

All ports are set to input after reset or power up.

Address		Mode	D7	D6	D5	D4	D3	D2	D1	D0
Base+0	Input Port A	RD	PAD7	PAD6	PAD5	PAD4	PAD3	PAD2	PAD1	PAD0
Base+1	Input Port B	RD	PBD7	PBD6	PBD5	PBD4	PBD3	PBD2	PBD1	PBD0
Base+2	Output Port C	RD/WR	PCD7	PCD6	PCD5	PCD4	PCD3	PCD2	PCD1	PCD0
Base+3	Output Port D	RD/WR	PDD7	PDD6	PDD5	PDD4	PDD3	PDD2	PDD1	PDD0
Base+4		RD	0	0	0	0	0	0	0	0
Base+5	Interrupt Status	RD/WR	IRQEN	IRQST	0	0	0	0	IRC1	IRC0

Interrupt Control

When enabled, interrupts are generated on Port A bit D0.

IRQEN	Interrupt enable	1 = enabled	0 = disabled (0 on power up)
IRC0	Interrupt mode select, see table below		
IRC1	Interrupt mode select, see table below		

Interrupt Mode Select Table

Interrupt source is Base+0 bit D0. When selecting the Interrupt Type, always disable interrupts prior to changing or setting states. This will help prevent inadvertent or unexpected interrupts from occurring.

IRC1	IRC0	Interrupt Type
0	0	Low Level
0	1	High Level
1	0	Falling Edge
1	1	Rising Edge



When using the High and Low Level interrupts, an interrupt occurs when input D0 changes to either a High or Low state. This will cause the computer to remain in an interrupt state until the input state changes.

Interrupt Read

Reading the Interrupt Status port (Base+5) clears any interrupt pending.

IRQST	(D0) Interrupt Status	1 = interrupt pending, 0 = none
-------	-----------------------	---------------------------------

Electrical Characteristics

- Selectable I/O port addressing from 100H – 3FFH
- 2 sets SPST relays with each having 8 relays
- 2 eight bit input ports
- Highly reliable 10 VA DIP reed relays
- Multiple adapters can reside in same computer
- All address, data and control signals are TTL compatible

Specifications

Input Ports

Turn On Current:	3mA
Isolator Diode Drop:	1.1 VDC
Resistor Power Max:	.25W
Maximum Input Range:	10 – 30 VDC/VAC

Outputs Relays

Contact Max Power Rating:	10 W
Contact Voltage Maximum:	100 VDC/VAC
Contact Current Maximum:	.5A AC/DC RMS
Contact Resistance, Initial:	.15 Ω
Rated Life:	
Low Load:	200 Million Closures
Maximum Load:	100 Million Closures
Contact Speed:	
Operate:	.5 mS
Release:	.5 mS
Bounce:	.5 mS
Maximum Operating Speed:	600Hz

Temperature Range

Operating	0°C - 70°C
Storage	-50°C - 105°C

Power Requirements

Supply line	+5 VDC	+12 VDC
Rating	800 mA	50 mA

Physical Dimensions

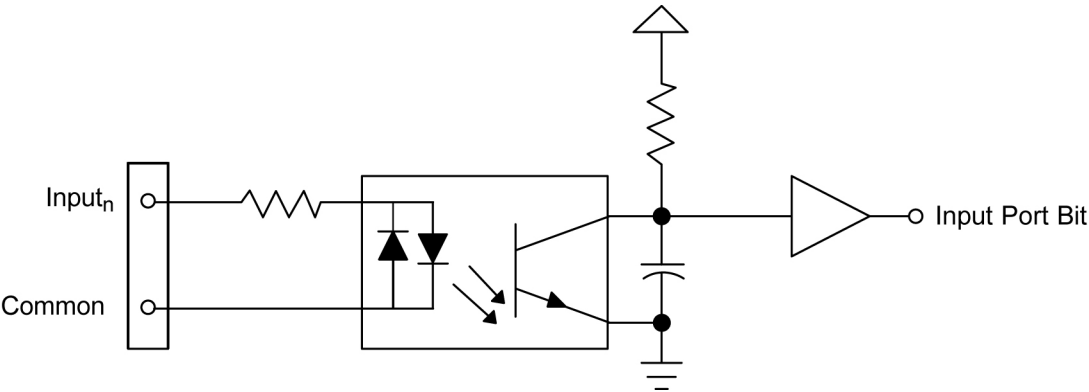
PCB Length:	9.8 Inches (24.8 cm)
PCB Height:	4.2 inches (10.7 cm, including Goldfingers)

Manufacturing

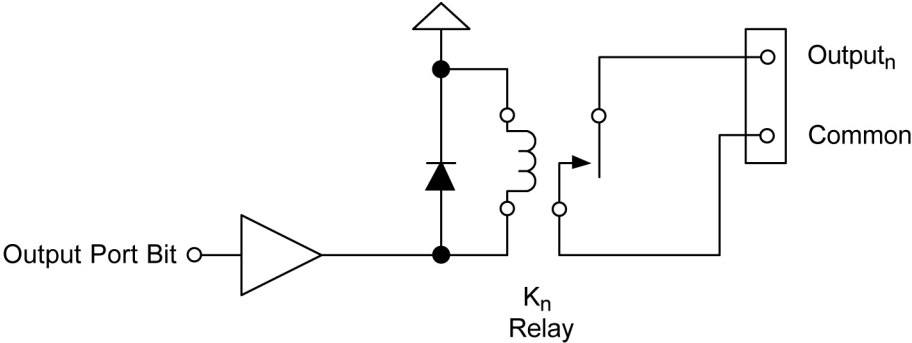
All Sealevel Systems Printed Circuit boards are built to UL 94V0 rating and are 100% electrically tested. These printed circuit boards are solder mask over bare copper or solder mask over tin nickel.

Example Circuits

Input Circuit



Output Circuit



Appendix A – Troubleshooting

Following these simple steps can eliminate most common problems.

1. **Install software first.** After installing the software then proceed to adding the hardware. This places the required installation files in the correct locations.
2. Read this manual thoroughly before attempting to install the adapter in your system.
3. Use Device Manager under Windows to verify proper installation.
4. Use the SealO Control Panel applet or the Device Manager's property page for card identification and configuration.
5. The following are known I/O conflicts:
 - The 278 and 378 settings may conflict with your printer I/O adapter.
 - 3B0 cannot be used if a Monochrome adapter is installed.
 - 3F8-3FF is typically reserved for COM1:
 - 2F8-2FF is typically reserved for COM2:
 - 3E8-3EF is typically reserved for COM3:
 - 2E8-2EF is typically reserved for COM4:

If these steps do not solve your problem, please call Sealevel Systems' Technical Support, (864) 843-4343. Our technical support is free and available Monday through Friday from 8:00 AM - 5:00 PM, Eastern Time. For email support contact support@sealevel.com.

Appendix B – How To Get Assistance

Begin by reading through the Troubleshooting Guide in [Appendix A](#). If assistance is still needed, please see below.

When calling for technical assistance, please have your user manual and current adapter settings. If possible, please have the adapter installed in a computer ready to run diagnostics.

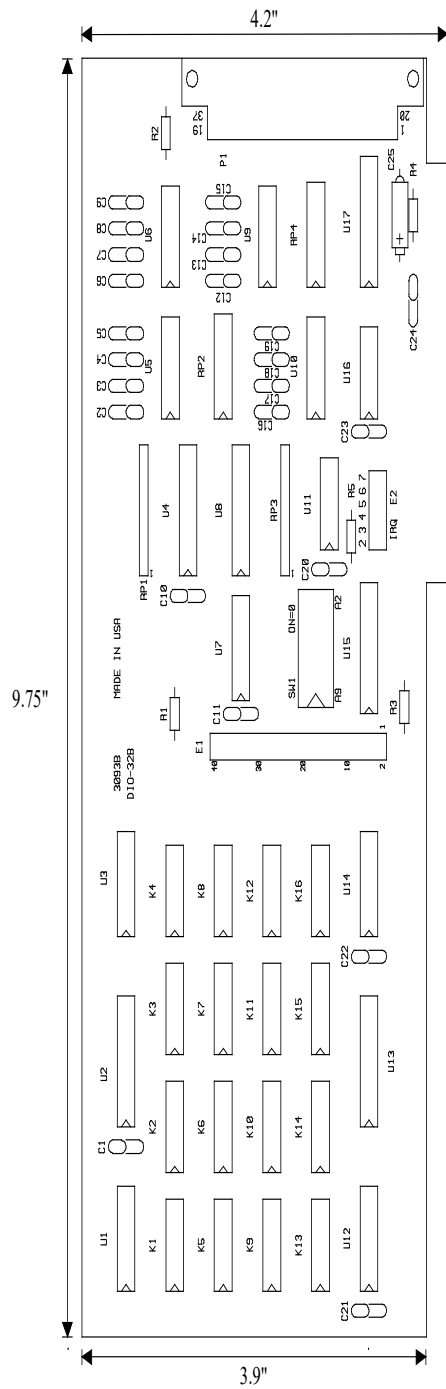
Sealevel Systems provides an FAQ section on its web site. Please refer to this to answer many common questions. This section can be found at <http://www.sealevel.com/faq.asp>.

Sealevel Systems maintains a Home page on the Internet. Our home page address is www.sealevel.com. The latest software updates, and newest manuals are available via our FTP site that can be accessed from our home page.

Technical support is available Monday to Friday from 8:00 AM to 5:00 PM, Eastern Time. Technical support can be reached at (864) 843-4343. For email support contact support@sealevel.com.

RETURN AUTHORIZATION MUST BE OBTAINED FROM SEALEVEL SYSTEMS BEFORE RETURNED MERCHANDISE WILL BE ACCEPTED. AUTHORIZATION CAN BE OBTAINED BY CALLING SEALEVEL SYSTEMS AND REQUESTING A RETURN MERCHANDISE AUTHORIZATION (RMA) NUMBER.

Appendix C – Silk Screen – 3093H PCB



Appendix D – Compliance Notices

Federal Communications Commission (FCC) Statement



This equipment has been tested and found to comply with the limits for Class A digital device, pursuant to Part 15 of the FCC Rules. These limits are designed to provide reasonable protection against harmful interference when the equipment is operated in a commercial environment. This equipment generates, uses, and can radiate radio frequency energy and, if not installed and used in accordance with the instruction manual, may cause harmful interference to radio communications. Operation of this equipment in a residential area is likely to cause harmful interference in such case the user will be required to correct the interference at the users expense.

EMC Directive Statement



Products bearing the CE Label fulfill the requirements of the EMC directive (89/336/EEC) and of the low-voltage directive (73/23/EEC) issued by the European Commission. To obey these directives, the following European standards must be met:

- **EN55022 Class A** - “Limits and methods of measurement of radio interference characteristics of information technology equipment”
- **EN55024** – “Information technology equipment Immunity characteristics Limits and methods of measurement”.



This is a Class A Product. In a domestic environment, this product may cause radio interference in which case the user may be required to take adequate measures to prevent or correct the interference.



Always use cabling provided with this product if possible. If no cable is provided or if an alternate cable is required, use high quality shielded cabling to maintain compliance with FCC/EMC directives.

Warranty

Sealevel's commitment to providing the best I/O solutions is reflected in the Lifetime Warranty that is standard on all Sealevel manufactured I/O products. We are able to offer this warranty due to our control of manufacturing quality and the historically high reliability of our products in the field. Sealevel products are designed and manufactured at its Liberty, South Carolina facility, allowing direct control over product development, production, burn-in and testing. Sealevel achieved ISO-9001:2015 certification in 2018.

Warranty Policy

Sealevel Systems, Inc. (hereafter "Sealevel") warrants that the Product shall conform to and perform in accordance with published technical specifications and shall be free of defects in materials and workmanship for the warranty period. In the event of failure, Sealevel will repair or replace the product at Sealevel's sole discretion. Failures resulting from misapplication or misuse of the Product, failure to adhere to any specifications or instructions, or failure resulting from neglect, abuse, accidents, or acts of nature are not covered under this warranty.

Warranty service may be obtained by delivering the Product to Sealevel and providing proof of purchase. Customer agrees to ensure the Product or assume the risk of loss or damage in transit, to prepay shipping charges to Sealevel, and to use the original shipping container or equivalent. Warranty is valid only for original purchaser and is not transferable.

This warranty applies to Sealevel manufactured Product. Product purchased through Sealevel but manufactured by a third party will retain the original manufacturer's warranty.

Non-Warranty Repair/Retest

Products returned due to damage or misuse and Products retested with no problem found are subject to repair/retest charges. A purchase order or credit card number and authorization must be provided in order to obtain an RMA (Return Merchandise Authorization) number prior to returning Product.

How to obtain an RMA (Return Merchandise Authorization)

If you need to return a product for warranty or non-warranty repair, you must first obtain an RMA number. Please contact Sealevel Systems, Inc. Technical Support for assistance:

Available	Monday – Friday, 8:00 AM to 5:00 PM EST
Phone	864-843-4343
Email	support@sealevel.com

Trademarks

Sealevel Systems, Incorporated acknowledges that all trademarks referenced in this manual are the service mark, trademark, or registered trademark of the respective company.