

SeaLINK ISO-16

User Manual | 8207



Contents

INTRODUCTION	3
<i>Other Sealevel USB Digital I/O Products</i>	3
BEFORE YOU GET STARTED	4
<i>What's Included</i>	4
<i>Advisory Conventions</i>	4
<i>Optional Items</i>	5
SOFTWARE INSTALLATION	6
<i>Windows Installation</i>	6
PHYSICAL INSTALLATION	7
PROGRAMMING THE SEALINK ISO-16	8
<i>Programming for Windows</i>	8
<i>Samples and Utilities</i>	8
<i>Digital I/O Interface</i>	8
<i>Serial String</i>	8
<i>Input Port</i>	9
ELECTRICAL CHARACTERISTICS	10
<i>Features</i>	10
SPECIFICATIONS	10
<i>Input Ports</i>	10
<i>Temperature Range</i>	10
<i>Manufacturing</i>	10
EXAMPLE CIRCUITS	11
APPENDIX A – TROUBLESHOOTING	12
APPENDIX B – HOW TO GET ASSISTANCE	13
APPENDIX C – SILK SCREEN - 8207 PCB	14
APPENDIX D – COMPLIANCE NOTICES	15
<i>Federal Communications Commission (FCC) Statement</i>	15
WARRANTY	16



Introduction

The SeaLINK ISO-16 provides sixteen optically isolated inputs (rated for 5-30V) for monitoring off board switch closures, relays or any other general purpose monitoring needs. The adapter is USB 1.1 compliant.

The SEALINK ISO-16 is designed to be used under Windows 98/ME/2000/XP. The Seal/O API (Application Programmer Interface) included in Seal/O Classic software package for the SEALINK ISO-16 provides a variety of useful high-level function calls implemented in a Windows dynamic link library (DLL). This API gives access to the SeaLINK ISO-16 I/O from Windows-based platforms such as Visual C++. In addition to the API, Seal/O includes an ActiveX control along with sample code and utilities to simplify software development.

Other Sealevel USB Digital I/O Products

Model No.	Part No.	Description
SeaLINK PLC-16	(P/N 8206)	- 8 Form C Relays/8 Opto-isolated Inputs
SeaLINK DIO-16	(P/N 8209)	- 8 Reed Relays Outputs/8 Opto-isolated Inputs
SeaLINK REL-16	(P/N 8208)	- 16 Reed Relay Outputs
SeaLINK PIO-48	(P/N 8203)	- 48 TTL Inputs/Outputs
SeaLINK PIO-96	(P/N 8205)	- 96 TTL Inputs/Outputs

Before You Get Started

What's Included

The SeaLINK ISO-16 is shipped with the following items. If any of these items are missing or damaged, please contact Sealevel for replacement.

- **SeaLINK ISO-16 Adapter**
- **USB A to B Cable, Part# CA179**

Advisory Conventions



Warning

The highest level of importance used to stress a condition where damage could result to the product, or the user could suffer serious injury.



Important

The middle level of importance used to highlight information that might not seem obvious or a situation that could cause the product to fail.



Note

The lowest level of importance used to provide background information, additional tips, or other non-critical facts that will not affect the use of the product.

Optional Items

Depending upon your application, you are likely to find one or more of the following items useful for interfacing the SeaLINK ISO-16 to real-world signals. All items can be purchased from our website (www.sealevel.com) or by calling (864) 843-4343.

- **DIN Rail Clips (Part Number DR102)**

A pair of brackets, clips, and hardware necessary for DIN rail mounting the SeaLINK ISO-16.

- **2U 19" Rack Tray (Part Number RK2U)**

Standard 2U rack tray for supporting SeaLINK and other devices.

- **Clamp for Rack Tray (Part Number RK-CLAMP)**

Metal clamp and necessary hardware to secure SeaLINK or other devices to the RK2U rack tray.

- **High Speed USB 2.0 4-Port Hub (Part Number HUB4)**

AC powered 4-port USB hub, AC adapter, and USB cable.

- **High Speed USB 2.0 7-Port Hub (Part Number HUB7)**

AC powered 7-port USB hub, AC adapter, and USB cable.

Software Installation

Windows Installation



Do not connect the SeaLINK ISO-16 Adapter to the host USB device until the software has been fully installed.



Only users running Windows 7 or newer should utilize these instructions for accessing and installing the appropriate driver via Sealevel's website. If you are utilizing an operating system prior to Windows 7, please contact Sealevel by calling 864.843.4343 or emailing support@sealevel.com to receive access to the legacy driver download and installation instructions.

1. Begin by locating, selecting, and installing the correct software from the [Sealevel software driver database](#).
2. Type in or select the part number (**#8207**) for the adapter from the listing.
3. Select "Download Now" for [SeaIO Classic for Windows](#). (If you cannot locate your part number, you may click the link in this section to download the SeaIO Classic software.)
4. The setup files will automatically detect the operating environment and install the proper components. Follow the information presented on the screens that follow.
5. A screen may appear with text similar to: "The publisher cannot be determined due to the problems below: Authenticode signature not found." Please click the 'Yes' button and proceed with the installation. This declaration simply means that the operating system is not aware of the driver being loaded. It will not cause any harm to your system.
6. During setup, the user may specify installation directories and other preferred configurations. This program also adds entries to the system registry that are necessary for specifying the operating parameters for each driver. An uninstall option is also included to remove all registry/INI file entries from the system.
7. The software is now installed, and you can proceed with the physical installation.



Windows NT is not USB aware and thus cannot support the SeaLINK ISO-16.

Physical Installation

The SeaLINK ISO-16 can be installed in any open USB port.



Do not plug the unit into a USB port until the software has been fully installed.

1. Simply connect the SeaLINK ISO-16 to your USB port with the supplied cable.
2. The software drivers installed during setup will automatically recognize and configure the device.
3. You should see one or more “New Hardware Found” windows, indicating the actual device being created.
4. Next, view your system’s Device Manager.
5. You should have a new ‘SealO 8207’ in the Seal/O Device heading indicating the installation was successful.

The SeaLINK ISO-16 is now ready for use.

Programming the SeaLINK ISO-16

Sealevel's Seal/O software is available to assist in the development of reliable applications for the Sealevel Systems family of digital I/O adapters. Included in Sealevel's software are driver functions for use in accessing the I/O as well as helpful samples and utilities.

Programming for Windows

The Seal/O API (Application Programmer Interface) provides a variety of useful high-level function calls implemented in a Windows dynamic link library (DLL). The API is defined in the help file (Start/Programs/SealO/SealO Help) under "Application Programmers Interface". This help file also includes detailed information dealing with installation / removal of the software and information about latency, logic states, and device configuration.

For C language programmers we recommend using the API to access the SeaLINK ISO-16. If you are programming in Visual Basic, using the ActiveX control included with Seal/O is advised.

Samples and Utilities

A variety of sample programs and utilities (both executable and source code) are included with Seal/O. Further documentation on these samples can be found by selecting "Start/Programs/SealO/Sample Application Description".

Digital I/O Interface

The SeaLINK ISO-16 provides two parallel input/output (I/O) ports. The ports are organized as ports A and B. The SeaLINK ISO-16 is a line-powered device requiring a USB port capable of sourcing 500 mA.

Serial String

Each device has an eight digit alphanumeric serial string stored in non-volatile memory. On the Windows platforms, this number is used to give each unit a separate identity. This identity allows the device to be moved to any USB port or hub port on your computer while retaining its device number. If a device becomes damaged and is replaced the new device should be given the same serial string as the device it is replacing. This string is stored in an EEPROM along with other critical information. This EEPROM is read during enumeration. The device should not be unplugged during its enumeration due to remote possibility that the data in the EEPROM could be corrupted if power is removed during a read/write cycle to the EEPROM. Enumeration is complete when the LED is lit.

The control panel utility provides the capability to read or modify this string. However, setting the same string for two units connected to the same computer will cause the second unit to fail enumeration, and make it invisible to the operating system. Should this occur, unplug one unit, and set the serial string for the other unit to a different string.

Input Port

Ports A & B are eight-bit input ports connected to optically isolated input sensors. Each sensor can be used to interface a voltage input and then sense whether the voltage is on or off. Each sensor is isolated (with respect to a common ground) from every other sensor, and also isolated with respect to the host PC ground. This means that signals such as low-level AC line voltage, motor servo voltage, and control relay signals can be 'sensed', or read by the PC, without the risk of damage due to ground loops or ground faults.

Each sensor input pair has a current limiting resistor (2.7K ohm) that is used to limit the input current to the opto-isolator. The opto-isolator has two 'back-to-back' diodes internally. This allows AC or DC signals to be sensed, regardless of polarity. When the applied voltage is high enough to cause the led in the opto-isolator to turn on, the output of the opto-isolator goes low (0 volts), and the signal is read as a low logic level (binary 0) by the PC. When the input signal is too low to turn on the opto-isolator, the output goes high, and the port bit is read by the PC as a high logic level (binary 1).

The opto-isolator requires approximately 1mA to turn on. The maximum input current is 50mA. There are two things to consider when selecting the input resistor. The first is turn on voltage for the circuit to sense, and second is the maximum input voltage. Maximum input voltage must not provide too much power to the input resistor and must also not overdrive the opto-isolator input current specification.

The following formulas apply:

$$\text{Turn on Voltage} = \text{diode drop} + (\text{turn on current}) \times (\text{resistance}) \text{ [Ex: } 1.1 + (.003) \times R \text{]}$$

$$\text{Input Current} = ((\text{input voltage}) - 1.1\text{V}) / (\text{resistor value})$$

$$\text{Maximum voltage} = 1.1 + \text{square root of } (.25(\text{resistor value}))$$

The following table shows the ranges associated with the resistor.

Input Resistor	Turn-On	Input Range	Max Input	Max Current
2.7KΩ	3.0V	5 – 30V	37V	13mA



The turn-off voltage for all resistors is less than 1V.

Because through hole resistors are utilized, they cannot be easily replaced. If modification is necessary, Sealevel can do this for an additional charge.



The input circuits are not intended for monitoring 120-volt AC circuits. In addition to being too high a voltage for the circuits, it is dangerous to have that high a voltage on the card.

Electrical Characteristics

Features

- Sixteen optically isolated inputs
- Removable screw terminals
- Powered by USB port

Specifications

Input Ports

Turn On Current:	1mA
Isolator Diode Drop:	1.1 VDC
Resistor Power Max:	.5W
Maximum Input Range:	5 – 30 VDC/VAC

Temperature Range

Operating	0°C - 70°C
Storage	-50°C - 105°C

Power Consumption

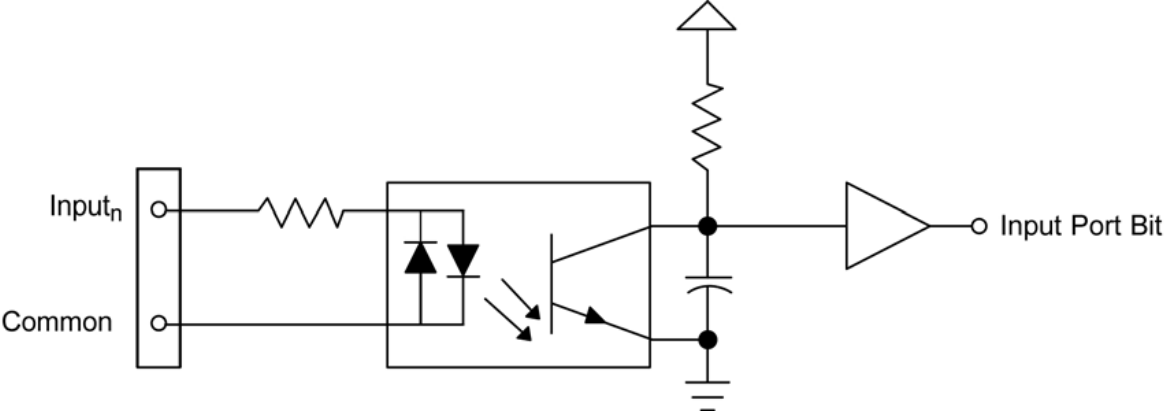
Supply line	+5 VDC
Rating	50 mA

Manufacturing

All Sealevel Systems Printed Circuit boards are built to UL 94V0 rating and are 100% electrically tested. These printed circuit boards are solder mask over bare copper or solder mask over tin nickel.

Example Circuits

Input Circuit



Appendix A – Troubleshooting

Following these simple steps can eliminate most common problems.

1. **Install software first.** After installing the software then proceed to adding the hardware. This places the required installation files in the correct locations.
2. Read this manual thoroughly before attempting to install the adapter in your system.
3. Use Device Manager under Windows to verify proper installation.
4. Use the SeaIO Control Panel applet or the Device Manager's property page for card identification and configuration.

If these steps do not solve your problem, please call Sealevel Systems' Technical Support, (864) 843-4343. Our technical support is free and available Monday through Friday from 8:00 AM - 5:00 PM, Eastern Time. For email support contact support@sealevel.com.

Appendix B – How To Get Assistance

Begin by reading through the Trouble Shooting Guide in [Appendix A](#). If assistance is still needed please see below.

When calling for technical assistance, please have your user manual and current adapter settings. If possible, please have the adapter installed in a computer ready to run diagnostics.

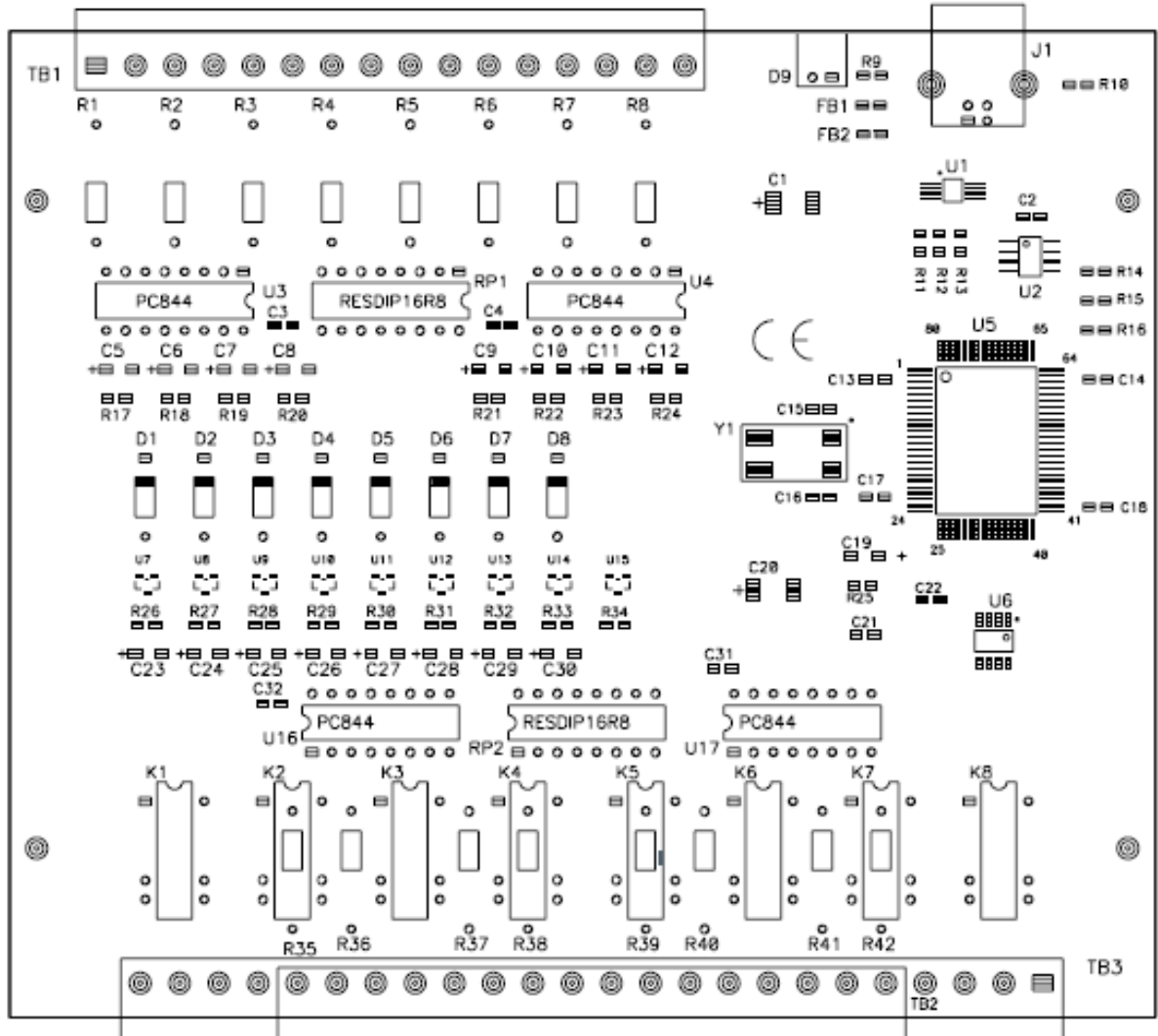
Sealevel Systems provides an FAQ section on its web site. Please refer to this to answer many common questions. This section can be found at <http://www.sealevel.com/faq.asp>.

Sealevel Systems maintains a Home page on the Internet. Our home page address is www.sealevel.com. The latest software updates, and newest manuals are available via our FTP site that can be accessed from our home page.

Technical support is available Monday to Friday from 8:00 AM to 5:00 PM, Eastern Time. Technical support can be reached at (864) 843-4343. For email support contact support@sealevel.com.

RETURN AUTHORIZATION MUST BE OBTAINED FROM SEALEVEL SYSTEMS BEFORE RETURNED MERCHANDISE WILL BE ACCEPTED. AUTHORIZATION CAN BE OBTAINED BY CALLING SEALEVEL SYSTEMS AND REQUESTING A RETURN MERCHANDISE AUTHORIZATION (RMA) NUMBER.

Appendix C – Silk Screen - 8207 PCB



Appendix D – Compliance Notices

Federal Communications Commission (FCC) Statement



This equipment has been tested and found to comply with the limits for Class A digital device, pursuant to Part 15 of the FCC Rules. These limits are designed to provide reasonable protection against harmful interference when the equipment is operated in a commercial environment. This equipment generates, uses, and can radiate radio frequency energy and, if not installed and used in accordance with the instruction manual, may cause harmful interference to radio communications. Operation of this equipment in a residential area is likely to cause harmful interference in such case the user will be required to correct the interference at the users expense.

EMC Directive Statement



Products bearing the CE Label fulfill the requirements of the EMC directive (89/336/EEC) and of the low-voltage directive (73/23/EEC) issued by the European Commission. To obey these directives, the following European standards must be met:

- **EN55022 Class A** - “Limits and methods of measurement of radio interference characteristics of information technology equipment”
- **EN55024** – “Information technology equipment Immunity characteristics Limits and methods of measurement”.



This is a Class A Product. In a domestic environment, this product may cause radio interference in which case the user may be required to take adequate measures to prevent or correct the interference.



Always use cabling provided with this product if possible. If no cable is provided or if an alternate cable is required, use high quality shielded cabling to maintain compliance with FCC/EMC directives.

Warranty

Sealevel's commitment to providing the best I/O solutions is reflected in the Lifetime Warranty that is standard on all Sealevel manufactured I/O products. We are able to offer this warranty due to our control of manufacturing quality and the historically high reliability of our products in the field. Sealevel products are designed and manufactured at its Liberty, South Carolina facility, allowing direct control over product development, production, burn-in and testing. Sealevel achieved ISO-9001:2015 certification in 2018.

Warranty Policy

Sealevel Systems, Inc. (hereafter "Sealevel") warrants that the Product shall conform to and perform in accordance with published technical specifications and shall be free of defects in materials and workmanship for the warranty period. In the event of failure, Sealevel will repair or replace the product at Sealevel's sole discretion. Failures resulting from misapplication or misuse of the Product, failure to adhere to any specifications or instructions, or failure resulting from neglect, abuse, accidents, or acts of nature are not covered under this warranty.

Warranty service may be obtained by delivering the Product to Sealevel and providing proof of purchase. Customer agrees to ensure the Product or assume the risk of loss or damage in transit, to prepay shipping charges to Sealevel, and to use the original shipping container or equivalent. Warranty is valid only for original purchaser and is not transferable.

This warranty applies to Sealevel manufactured Product. Product purchased through Sealevel but manufactured by a third party will retain the original manufacturer's warranty.

Non-Warranty Repair/Retest

Products returned due to damage or misuse and Products retested with no problem found are subject to repair/retest charges. A purchase order or credit card number and authorization must be provided in order to obtain an RMA (Return Merchandise Authorization) number prior to returning Product.

How to obtain an RMA (Return Merchandise Authorization)

If you need to return a product for warranty or non-warranty repair, you must first obtain an RMA number. Please contact Sealevel Systems, Inc. Technical Support for assistance:

Available	Monday – Friday, 8:00AM to 5:00PM EST
Phone	864-843-4343
Email	support@sealevel.com

Trademarks

Sealevel Systems, Incorporated acknowledges that all trademarks referenced in this manual are the service mark, trademark, or registered trademark of the respective company.